

THE REVOLUTIONARY CANISTER TRANSFERRING AID.

For live applications:

[https://www.youtube.com/user/
HOVMANDIMPACT](https://www.youtube.com/user/HOVMANDIMPACT)



GMP



Mobile, manoeuvrable and
extremely space-saving.

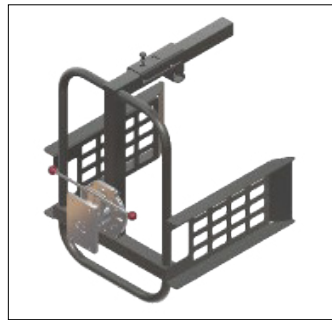
CE



Transporting, lifting, emptying and transferring canisters and contents with one single device. Canisters can be handled with the mobile canister transfer device, which is absolutely gentle on the body. The canisters are attached to the carrying handle by means of a hook jig and securely fixed by a lock as well as two supporting arms. This enables the canisters to be lifted and transported. A manually operated rotating device enables the canisters to be tilted sideways in order to precisely transfer the contents into other containers. You can select a volume between a 15-25 litre canister model as well as a 60 litre canister model.



CANISTER TIPPER SMALL
for canisters with 15 to 25 l volumes



CANISTER TIPPER LARGE
for canisters with 60 l volumes



CANISTER TIPPER FOR CANISTERS WITH 15 L TO 25 L VOLUMES.

Ergonomics for handling smaller canisters now becomes affordable with the Hovmand GO. 3 solutions combined in one single device - at a low price and in the customary Hovmand quality you already know. GO CANISTER makes it simple to lift and transport canisters with volumes from 15 to 25 litres. Raise the canister to the required height and fill it with the contents comfortably and accurately.

The small canister tipper can also be combined with our IMPACT 70 lifter model. Here you can choose from various chassis options and operating equipment. For environments with special hygiene requirements, it is available in stainless steel for the IMPOX 70 and INOX 90 lifter models.

TECHNICAL SPECIFICATIONS:

Lifter model with canister tipper small	Lift column type	Lifting capacity kg	Stroke length mm	Overall height mm	Lifting speed mm/sec	Battery voltage V/Ah	Total weight* kg
GO CANISTER	n/a	30	1385	1700	125	24/7,2	26
IMPACT 70	S/L/M	30	985/1285/1685	1225/1517/1917	125	24/7,2	28/30/32*
IMPOX 70	S/L/M	30	977/1272/1672	1217/1512/1912	125	24/7,2	28/30/32*
INOX 90	S/L/M	80	956/1245/1651	1225/1520/1922	270/125	24/9	37/40/43*

*Stated weight are without chassis, depending on the variant between 20 and 30 kg must be added.

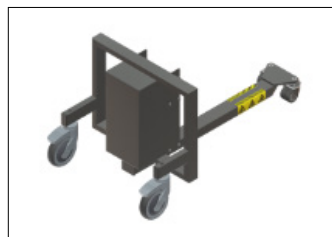
CANISTER TIPPER FOR CANISTERS WITH 60 L VOLUMES.



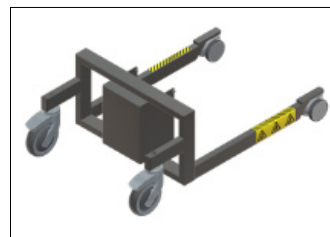
Our IMPACT 90 or IMPACT 130, combined with the tilting-capable canister holder, enables trouble-free movement, lifting and transferring for canisters with 60 litre volumes.

You can select different lifting column heights and chassis options in order to suit your local circumstances. The IMPACT 130 provides the option of replacing the canister tipper with another hoist lift such as e.g. a platform with a rapid exchange adapter. For environments with special hygiene requirements, the solution is available in stainless steel for the INOX 90 lifter model.

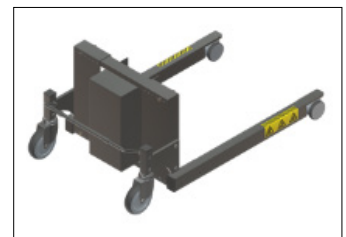
CHASSIS OPTIONS



CENTER
Suitable for Euro pallets



STANDARD
Rear wheel with brake
Leg length: 500 mm



FLEX 1 OR FLEX 2
Adjustable width of
450-610 mm resp. 650-810 mm

TECHNICAL SPECIFICATIONS:

Lifter model with canister tipper large	Lift column type	Lifting capacity kg	Stroke length mm	Overall height mm	Lifting speed mm/sec	Battery voltage V/Ah	Total weight* kg
IMPACT 90	L/M/H	80	1242/1642/2042	1520/1920/2320	270/125	24/9	37/40/42*
IMPACT 130	L/M/H/ H2/H3	80	1242/1642/2042/ 2180/2771	1520/1920/2320/ 2546/3046	125	24/9	38/40/42/ 48/51*
INOX 90	S/L/M	80	956/1245/1651	1225/1520/1922	270/125	24/9	43/46/50*

*Stated weight are without chassis, depending on the variant between 20 and 30 kg must be added.