

Reisopack®

Strapping technologies

**The first step for
fruit & vegetables
producers**



**Strapping Machine
Horizontal Semiautomatic**

2820



2820

Strapping Machine Horizontal Semiautomatic

Easy to use. Avoid moving the non strapped load thanks to the wheels of the machine. 3 power options.

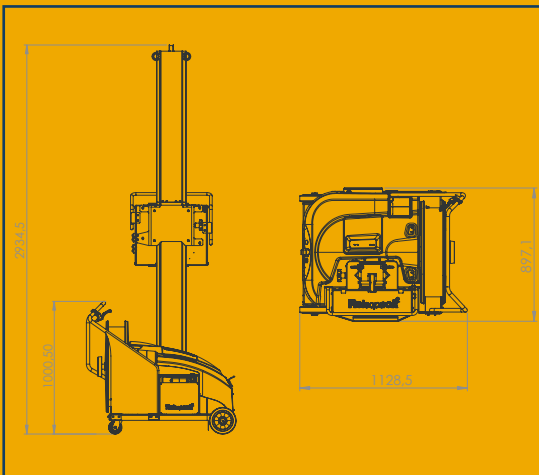
- Own technology and manufacturing. Only 1st quality european components.
- Tempered aluminium strapping head and tension rollers for longer machine life.
- Adjustable tension by electromagnetic clutch. Able to get tensions between 3 to 80 Kg.
- 3 power options: Connection to mains, internal batteries or removable and interchangeable batteries.
- Easy adjusting of the strapping height.
- Able to strap from 135 mm to 2400 mm (5'31 - 94'49 inches).
- Facilitates the placement of corners at the same time that the first strap is made, and also its transport to the strapping point.
- Brake release lever to prevent unwanted movement.
- Strap coil located at base to facilitate coil replacement operation.
- Leader in the semiautomatic strapping market in the horticultural sector since 1994.



New ergonomic handle equipped with brake release lever



Amazing strapping range: from 135 mm to 2400 mm



CHARACTERISTICS

- VOLTAGE:** 220 V / 240 V · 50 / 60 Hz · 1 Phase
- POWER:** 1 Kw. **APPROX. PRODUCTION:** 20-30 pallets / hour
- APPROX. BATTERY LIFE:** 600 straps
- MACHINE DIMENSIONS:** 1129 x 897 x 2935 mm
- STRAPPING RANGE:** From 135 mm to 2400 mm (5'31 - 94'49 inches)

TECHNICAL SPECIFICATIONS

- STRAP WIDTH:** 6-8-12-16 mm. (Factory set).
- STRAP THICKNESS:** 0,50-0,85 mm.
- HEATING SYSTEM:** Electrical heating. Adjustable welding temperature and cooling time.
- OPTIONS:** 3 power feeding systems: with internal batteries, with removable and interchangeable batteries, with connection to the mains.

Edition 01/17 - The manufacturer reserves the right to make changes without prior notice

Reisopack s.l.

Polígono Industrial "Z"
C/ De la Prensa, 3
08150 Parets del Vallès (Spain)

Tel. 935 735 340 - Fax 935 624 186
<http://www.reisopack.com>
E-mail: reiso@reisopack.com

2820

Customer Service: ☎ (+34) 935 735 340